



PO Box 1641
Laconia, NH 03246 USA

Phone: (603)-524-3714
Fax: (603) 524-6602
Email: Info@thermshield.com

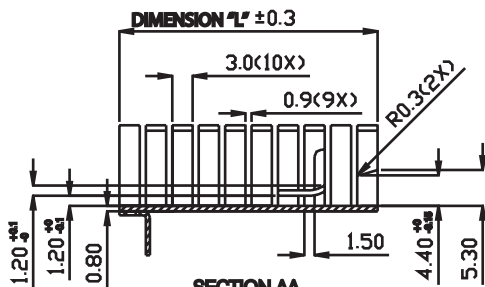
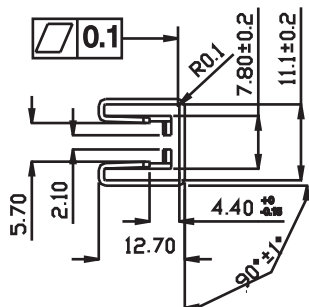
Specification – Data Sheet **RoHS COMPLIANT**

Thermshield Part Numbers: TS-54017-AD (L = 0.60" / 15.24)
TS-54018-AD (L = 0.75" / 19.00)
TS-54019-AD (L = 1.50" / 38.10)

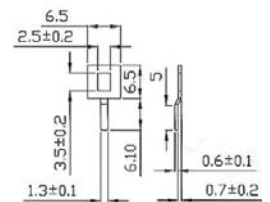
Finish: Black Anodize

Material: 0.032" thick H1100 Aluminum

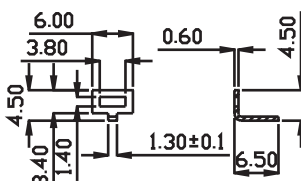
Options: Horz. or Vertical Solder Tab



SECTION AA
HORIZONTAL TAB SHOWN
UNITS IN MILLIMETERS



DETAIL VERTICAL TAB OPTION



DETAIL HORIZONTAL TAB

