

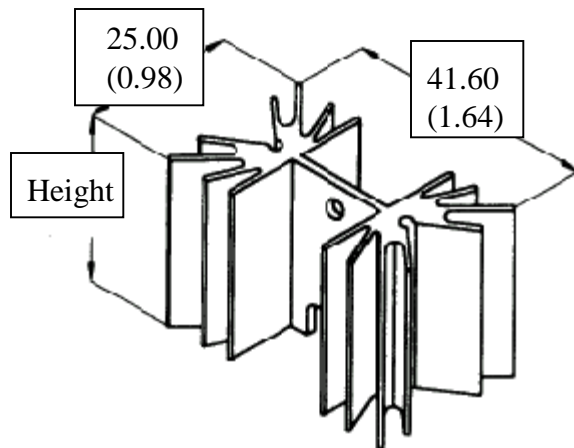


PO Box 1641  
Laconia, NH 03246 USA

Phone: (603)-524-3714  
Fax: (603) 524-6602  
Email: Info@thermshield.com

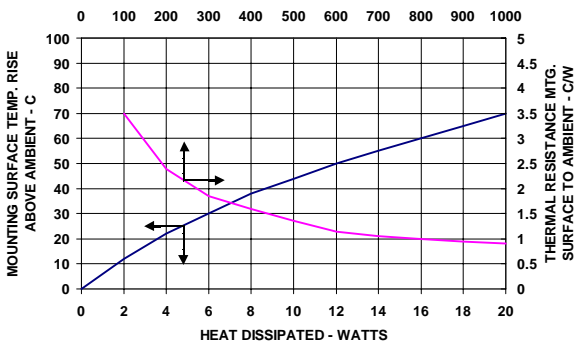
## Specification – Data Sheet

### TS- 54039-AD - Heights 1.0, 1.5, 2.0 & 2.5”

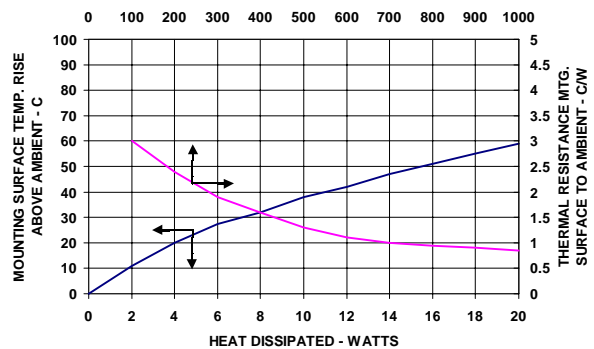


Finish: Black Anodize  
Material: 6063-T5 aluminum  
PC board attachment:  
0.090” dia. Pretinned pins  
Semi. Attachment:  
0.125” dia. Mounting holes (3)

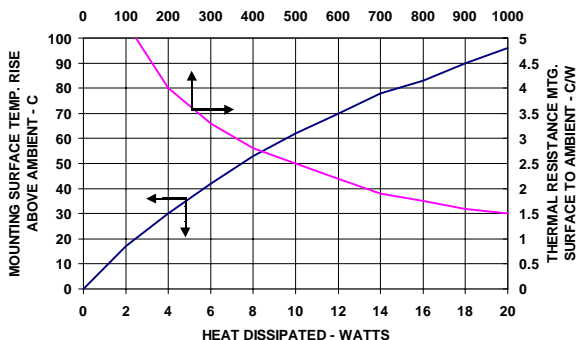
**THERMAL PERFORMANCE - TS-54039-AD - 2.0"**  
AIR VELOCITY - FT. PER MINUTE



**THERMAL PERFORMANCE - TS-54039-AD - 2.5"**  
AIR VELOCITY - FT. PER MINUTE



**THERMAL PERFORMANCE - TS-54039-AD - 1.0"**  
AIR VELOCITY - FT. PER MINUTE



**THERMAL PERFORMANCE - TS-54039-AD - 1.5"**  
AIR VELOCITY - FT. PER MINUTE

