



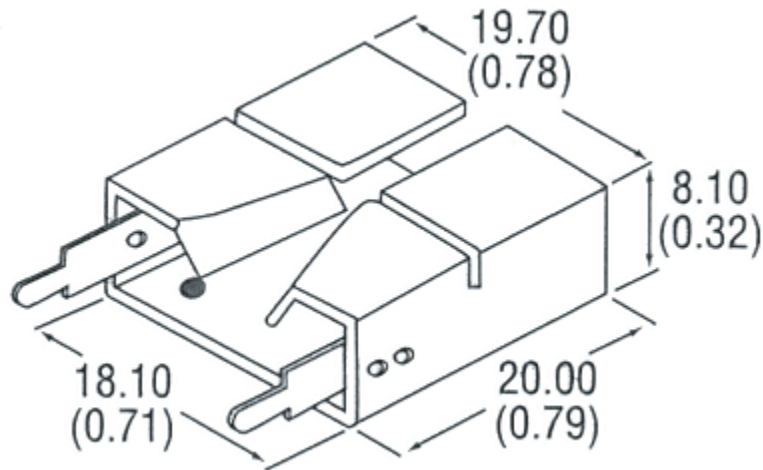
Phone: 603-524-3714
 Fax: 603-524-6602
 Website: www.thermshield.com
 Email: info@thermshield.com



Notes:

For vertical mounting with solderable pins
 Aluminum
 Black Anodize
 Thermal Resistance: 28.9 °C /W
 Thermal resistance value is based on a 75°C rise in natural convection

TS-54058-AD



THERMAL PERFORMANCE - TS-54058-AD
 AIR VELOCITY - FT. PER MINUTE

