



Standard Board Mount Series

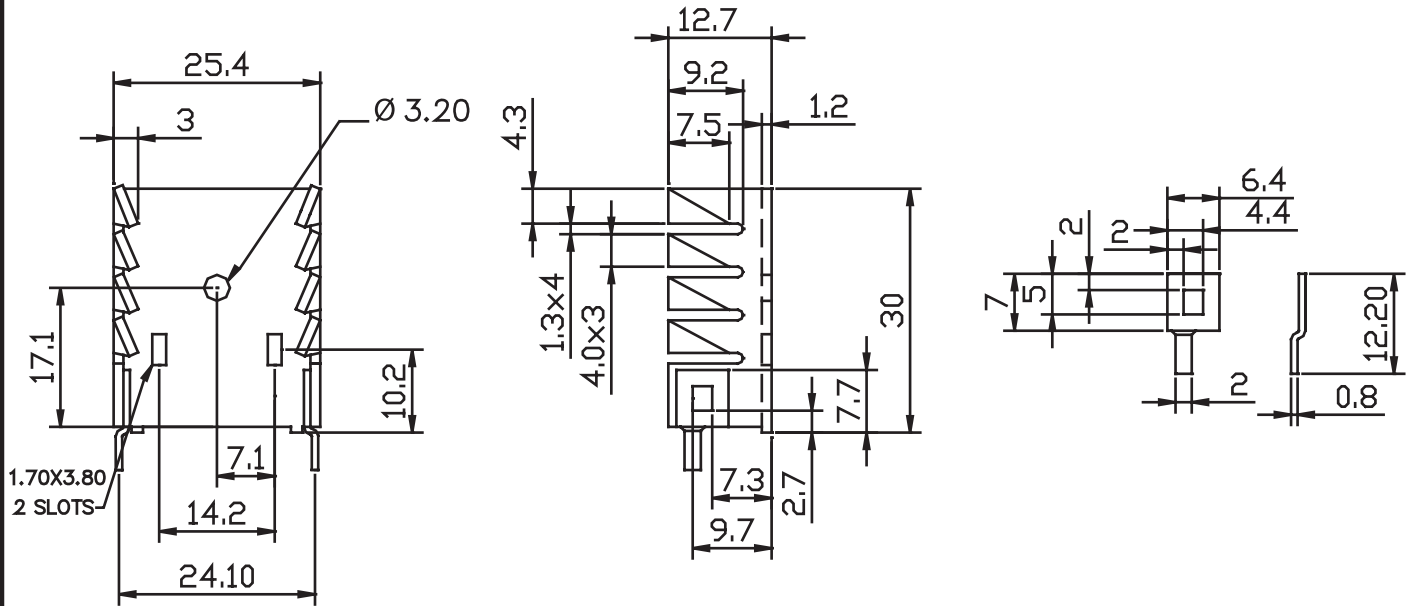
PO Box 1641
Laconia, NH 03246 USA

Phone: (603)-524-3714
Fax: (603) 524-6602
Email: Info@thermshield.com

Data Sheet

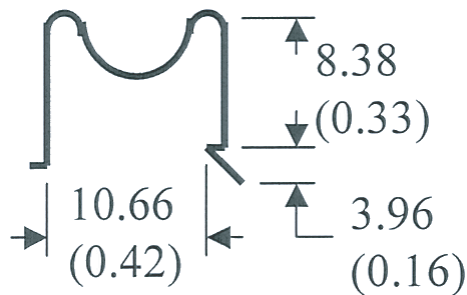
TS-54199-AD (without 0.120" hole)

TS-541210-AD (with 0.120" hole)



Drawing Units in Millimeters

Clip # TS-55056-JH



NOTES:

- Material: Aluminum
- 1.2 mm (.048) thk.
- Finish: Black Anodize
- Pre-tinned solder mounting tabs
- Order clip separately

THERMAL PERFORMANCE

AIR VELOCITY - FT. PER MINUTE

