



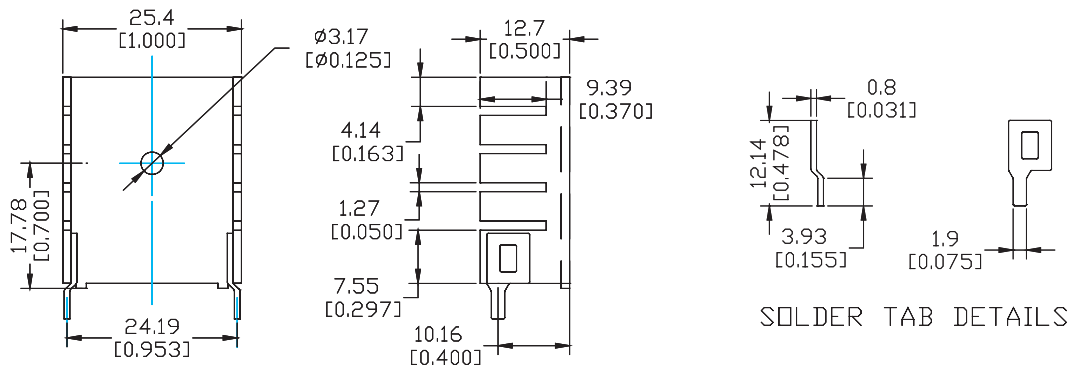
PO Box 1641  
Laconia, NH 03246 USA

Phone: (603)-524-3714  
Fax: (603) 524-6602  
Email: Info@thermshield.com

## Specification – Data Sheet

**TS-54194-AD (no tabs)**

**TS-54194-ADVT (with solderable tab option)**



TOLERANCES U.D.N.  $\pm 0.2\text{MM}$

### NOTES:

Material: Aluminum  
Finish: Black Anodize  
Pre-tinned solder  
mounting tabs

### THERMAL PERFORMANCE TS-54194-AA

