

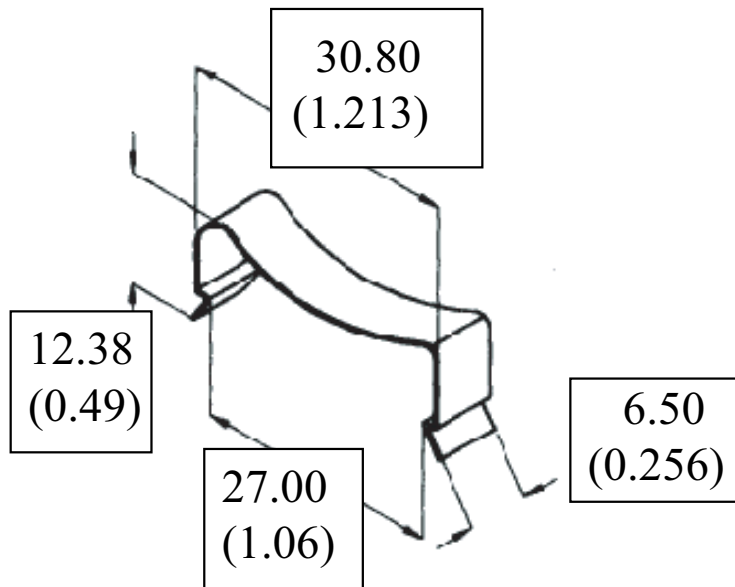
PO Box 1641
Laconia, NH 03246 USA

Phone: (603)-524-3714
Fax: (603) 524-6602
Email: Info@thermshield.com

Specification – Data Sheet



Spring Clip # TS-55007-AD



Notes:

Use with Thermshield heat sink # TS-54046-AD

Material: Stainless Steel – Spring Temper

0.013” thick